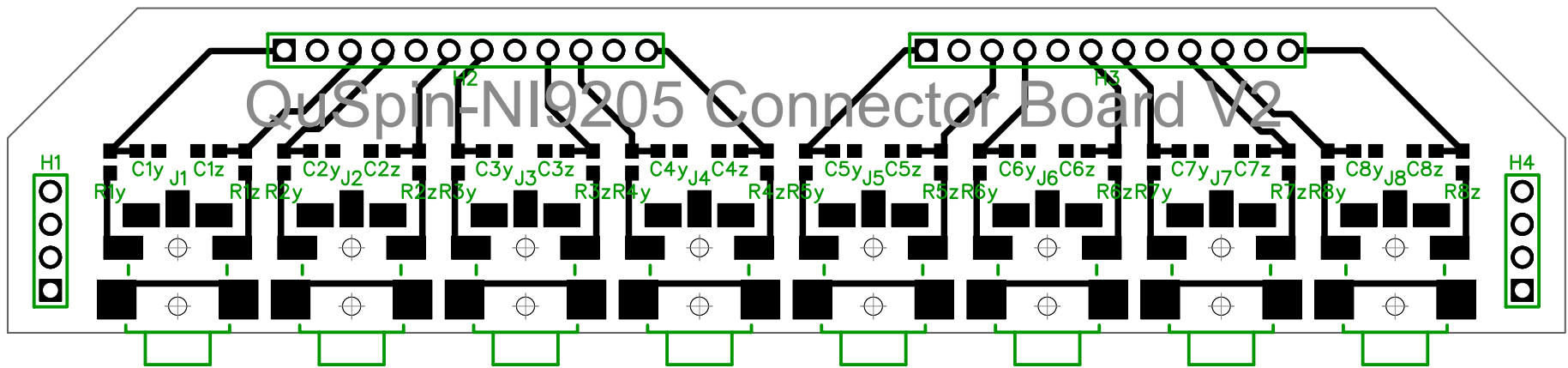
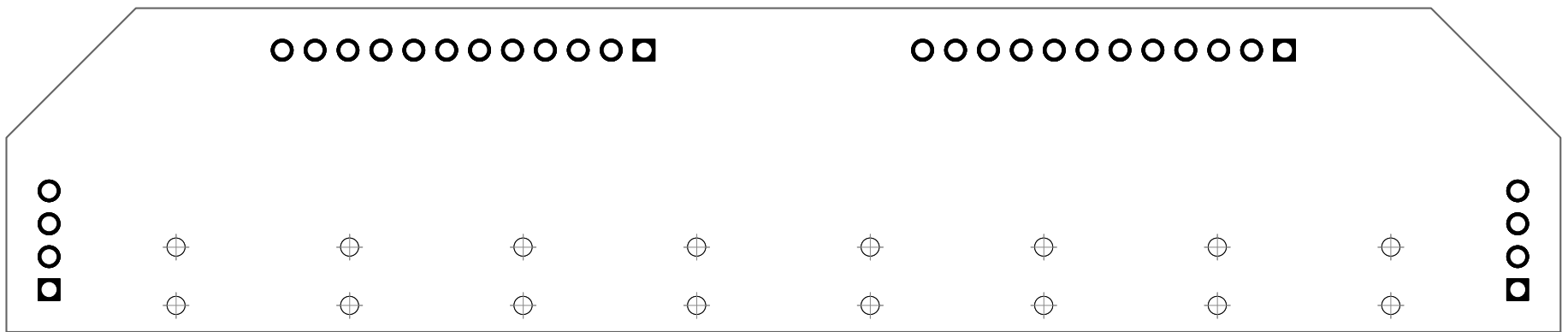


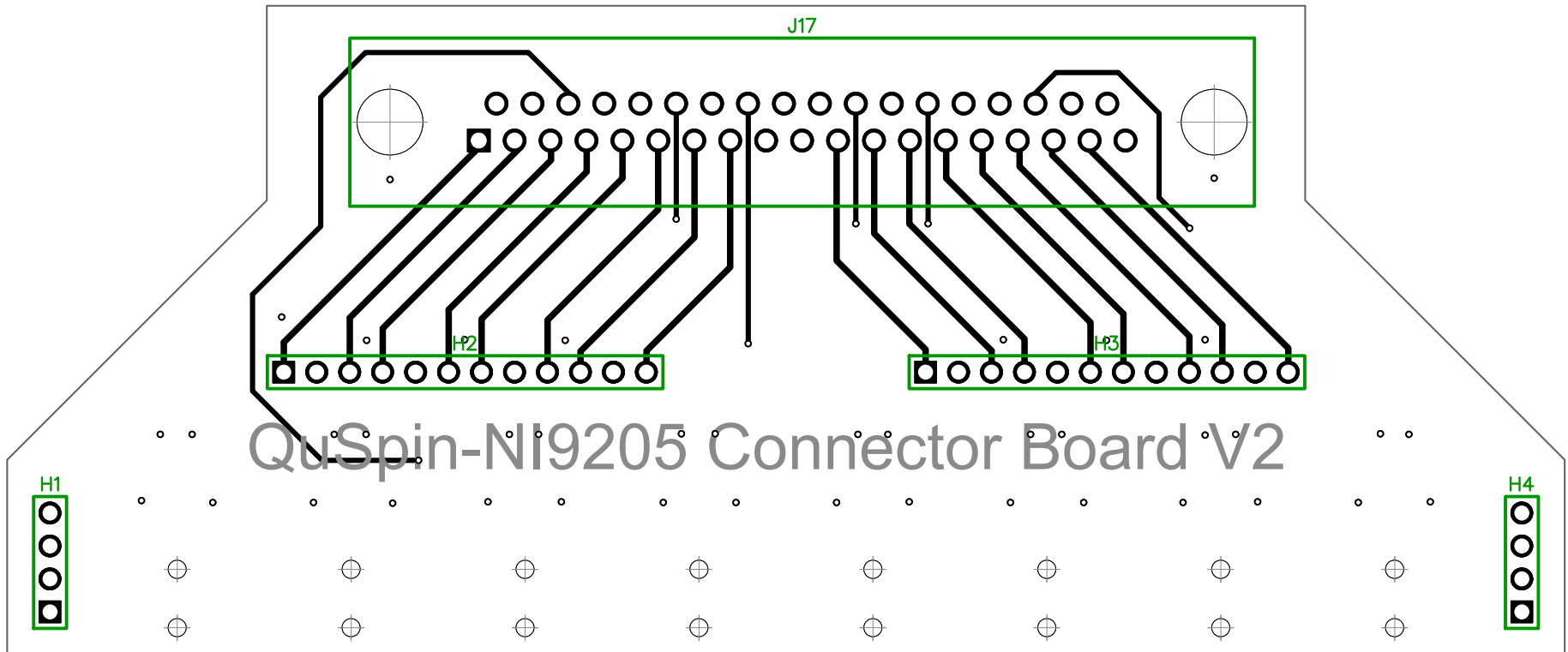
Bottom board schematic



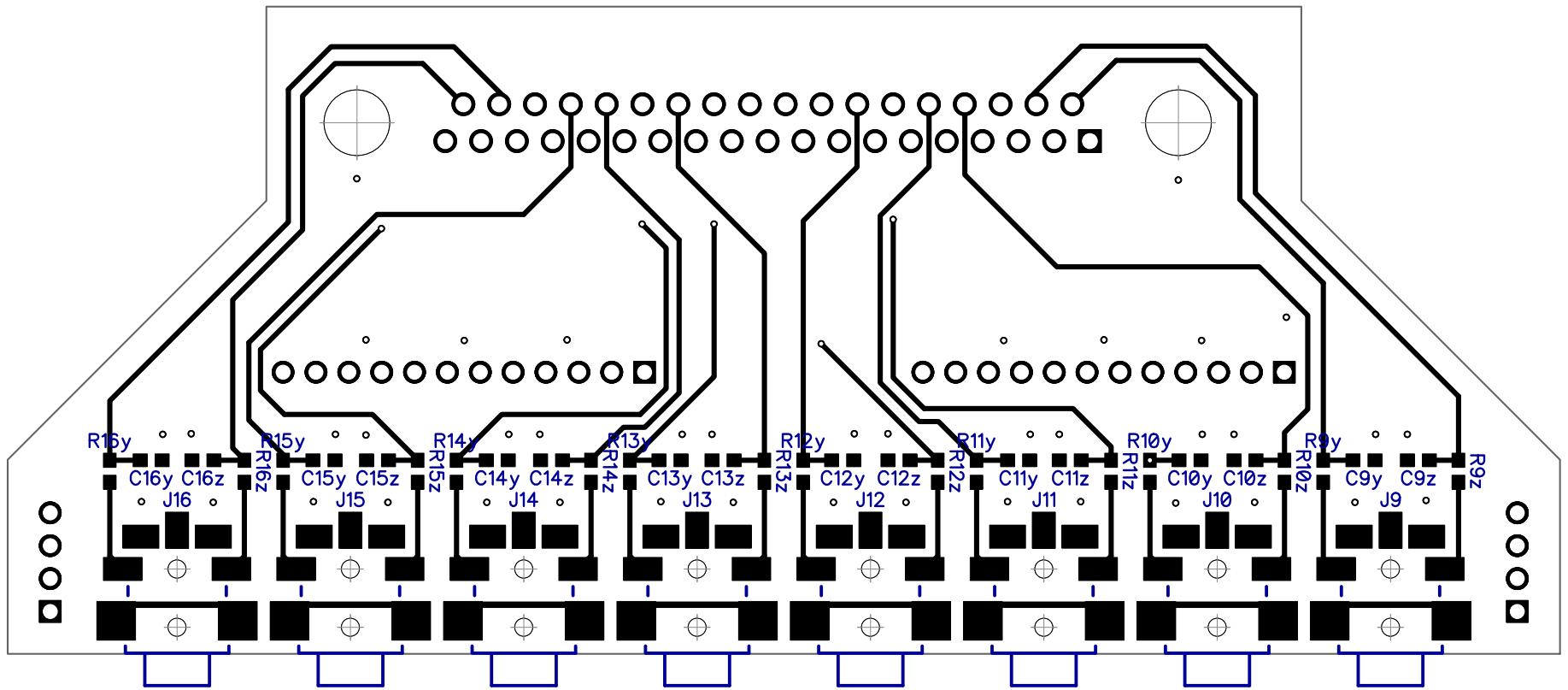
Top board PCB
(top side)



Top board PCB
Bottom side



Bottom board (top side)



Bottom board
Top side