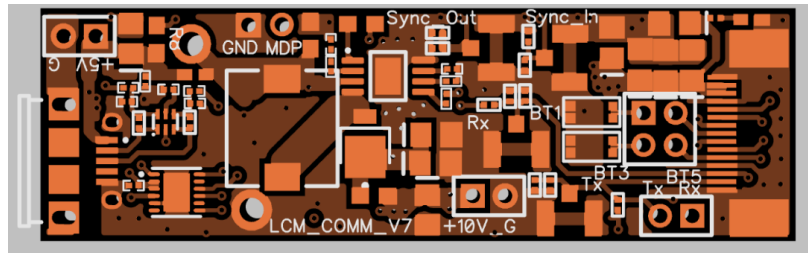
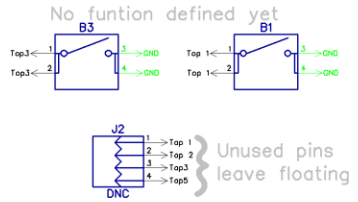
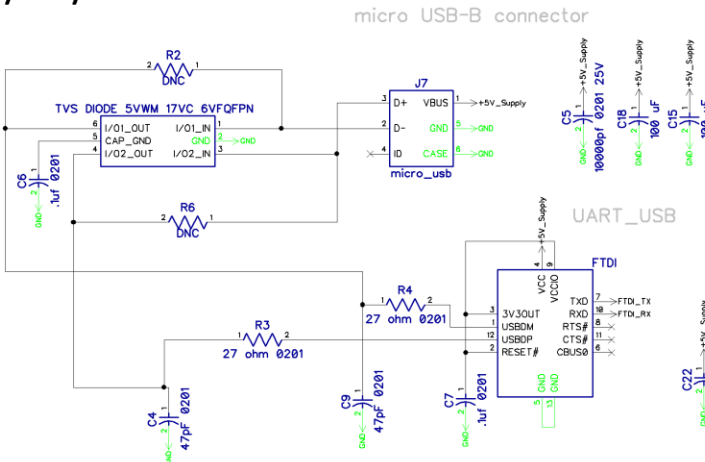


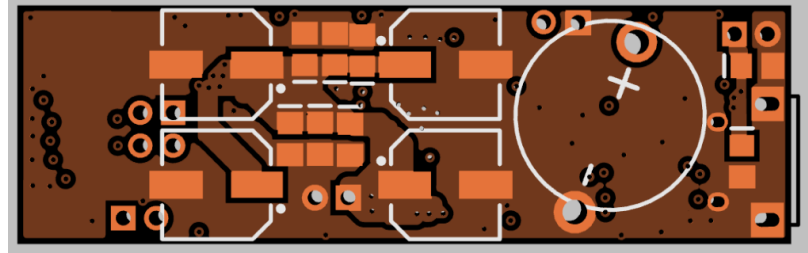
QuSpin QTFM Gen-2 Standard Comms Board

Rev: 7.11

Date: 02/12/2023



PCB Front



PCB Back

